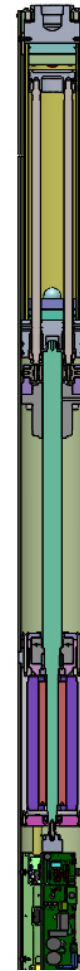
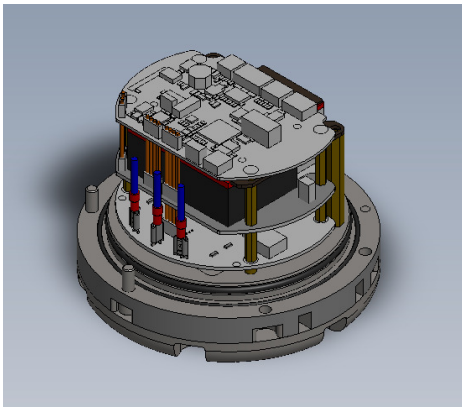


## Letter of recommendation to Gal Lior

AgroSolar is a five years old start up that sets its sights to develop a new type of a submersible water pump powered by PV sun energy for irrigation applications in the third world (see picture). The system is using a state of the art servomotor controlled by a sophisticated controller/driver driving a piston in a dual reciprocating construction.

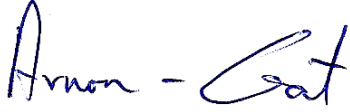
It was clear to AgroSolar management that the knowledge and knowhow of the controller driver unit has to be contracted to a high level HW/SW group to be able to achieve the necessary performance and cost required. This module in its entirety was contracted to Gal Lior in December 2015. Over the following year and a half Gal designed two versions of the module and achieved a breakthrough performance needed (see picture).



We are very pleased with the results achieved to date for the following reasons:

- Gal used a development methodology that forced us to clearly define our requirements so that the system performance could be easily evaluated at the end of the project
- Numerous design reviews (PDR, CDR and DDR) were held with clear summaries of the decision made
- Gal was a single person design house delivering schematics, layouts, mechanical and control software that worked interactively and in harmony
- Gal debugged his module together with the system integrator and provided continuing development support to the mechanical and integration group
- Gal travelled to India to personally work on the system in a real world application in wells of 20-50 meters deep
- Gal also introduced to us resources to complement his skills and to ease the integration work (mechanical and PC SW)
- Gal also spent numerous hours training our engineers and technicians to work and use the system so we are not dependent on him at all times

The end results was a state of the art controller-driver that has a BOM cost of \$273 compatible with a commercial unit of the same performance by ACS that sells for \$4,300 that is substantially larger and is not submersible. I am convinced that without the significant contribution of Gal Lior this project had very little chance of meeting its desired objectives.

A handwritten signature in blue ink that reads "Arnon - Gat". The signature is written in a cursive style with a horizontal line separating the first and last names.

Agrosolar Irrigation Systems Ltd.  
By: Dr. Arnon Gat, CEO